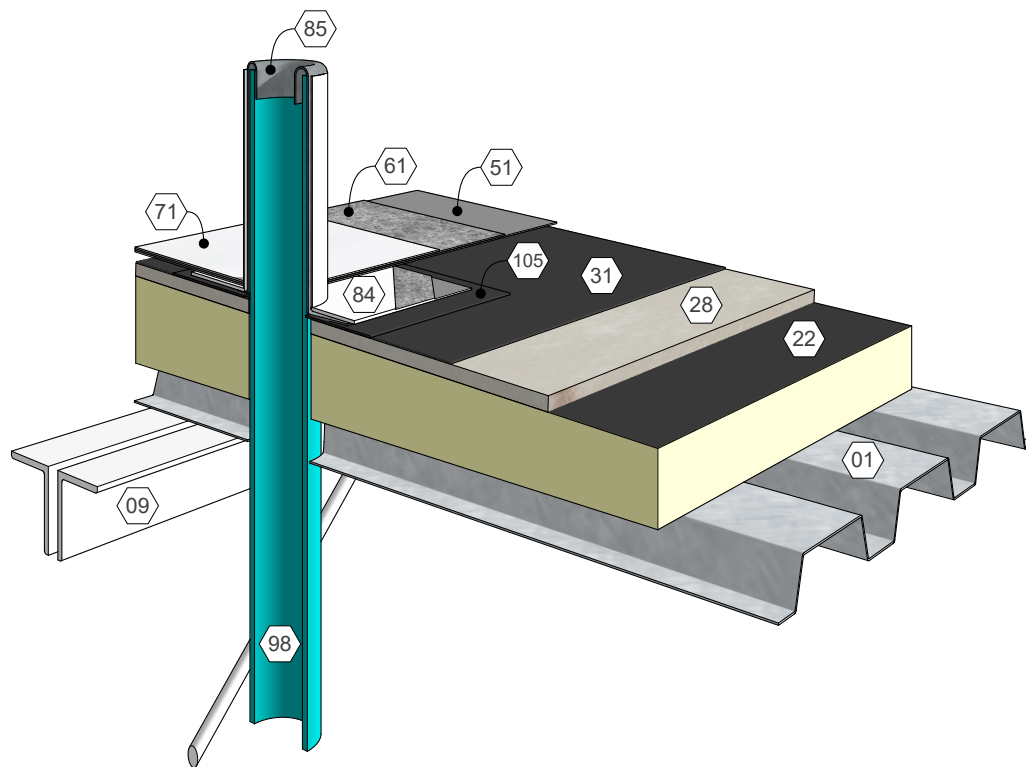
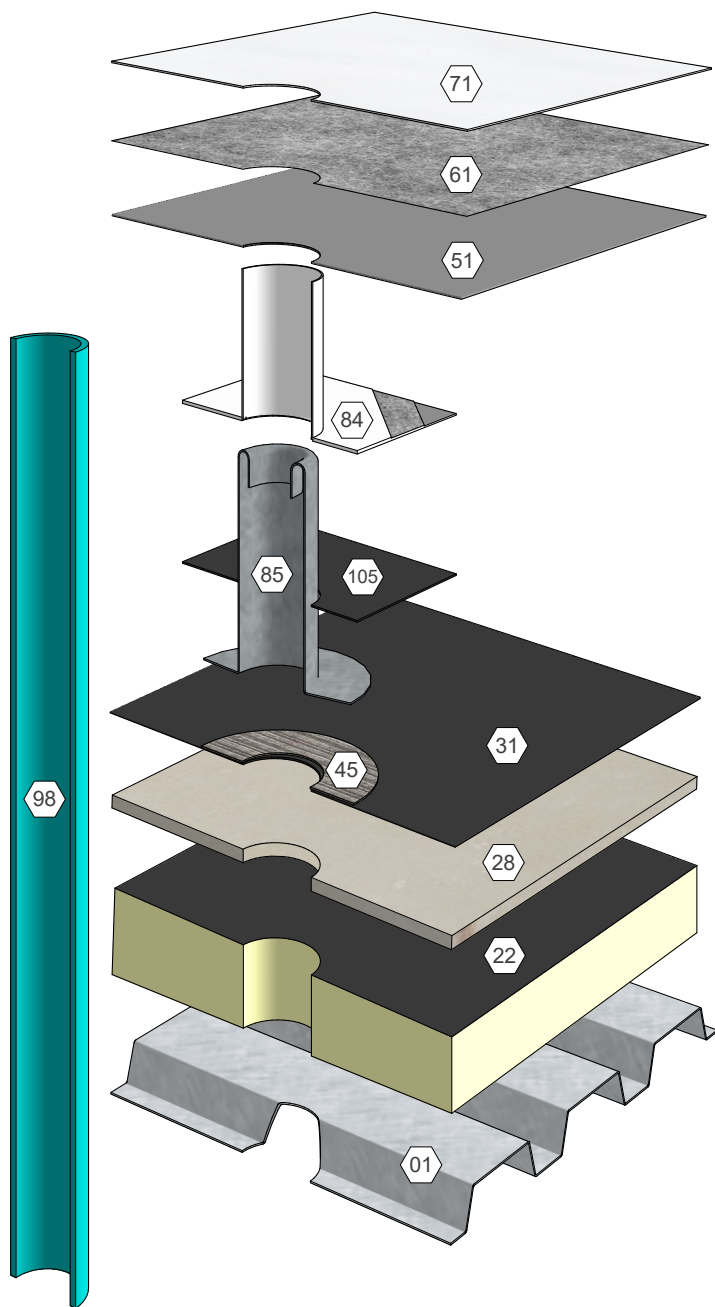


KEY NOTES

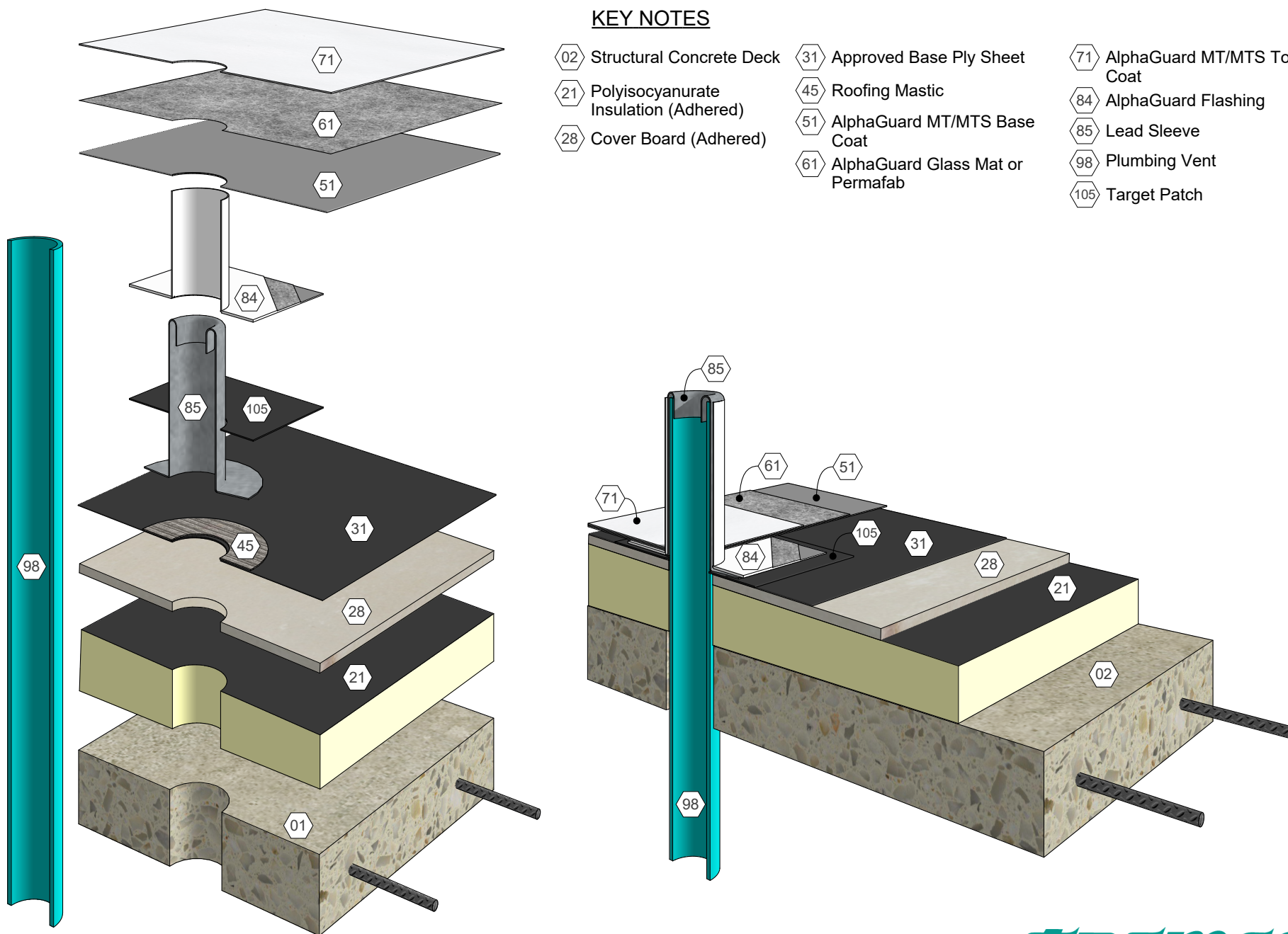
- | | | |
|--|-------------------------------------|-------------------------------|
| 01 Metal Deck | 31 Approved Base Ply Sheet | 71 AlphaGuard MT/MTS Top Coat |
| 09 Roof Structure | 45 Roofing Mastic | 84 AlphaGuard Flashing |
| 22 Polyisocyanurate Insulation (Fastened or Adhered) | 51 AlphaGuard MT/MTS Base Coat | 85 Lead Sleeve |
| 28 Cover Board (Adhered) | 61 AlphaGuard Glass Mat or Permafab | 98 Plumbing Vent |
| | | 105 Target Patch |



AlphaGuard® MT/MTS Plus Plumbing Vent Detail, Metal Deck
Detail 22181

KEY NOTES

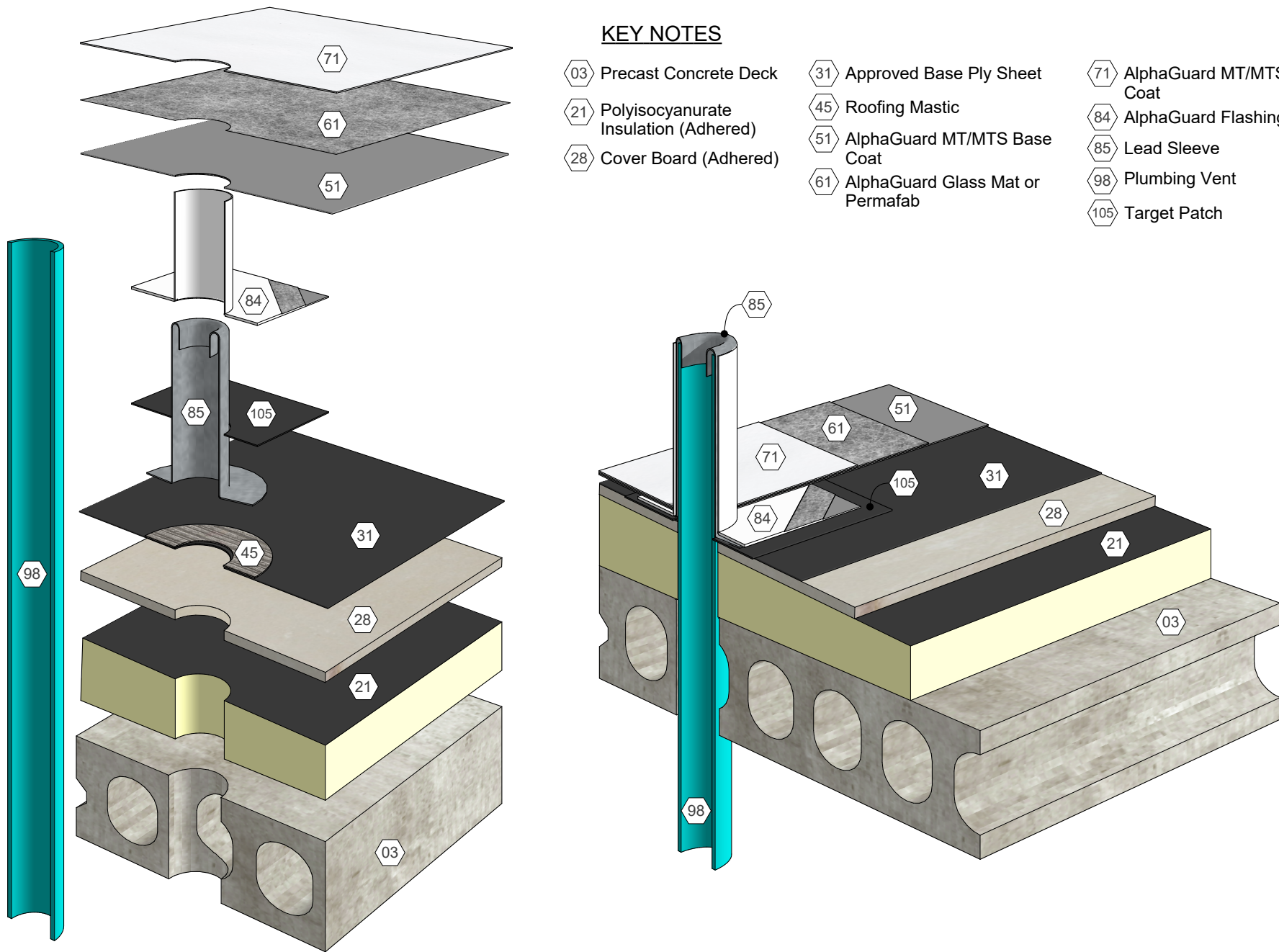
- | | | | | | |
|----|---------------------------------------|----|----------------------------------|-----|----------------------------|
| 02 | Structural Concrete Deck | 31 | Approved Base Ply Sheet | 71 | AlphaGuard MT/MTS Top Coat |
| 21 | Polyisocyanurate Insulation (Adhered) | 45 | Roofing Mastic | 84 | AlphaGuard Flashing |
| 28 | Cover Board (Adhered) | 51 | AlphaGuard MT/MTS Base Coat | 85 | Lead Sleeve |
| | | 61 | AlphaGuard Glass Mat or Permafab | 98 | Plumbing Vent |
| | | | | 105 | Target Patch |



AlphaGuard® MT/MTS Plus Plumbing Vent Detail, Structural Concrete Deck
Detail 22182

KEY NOTES

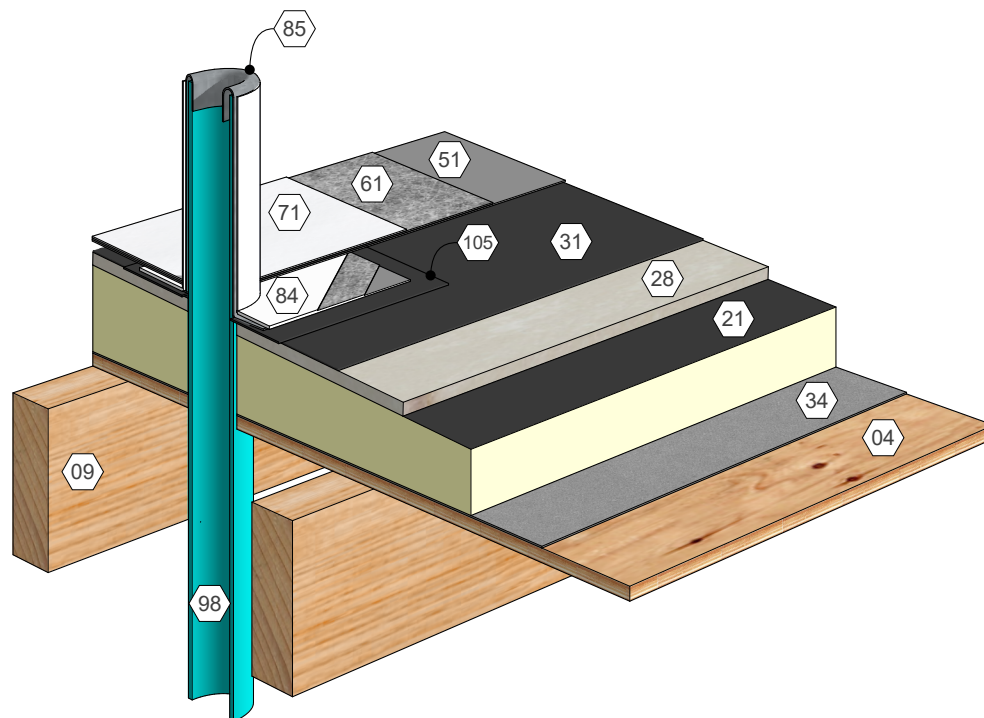
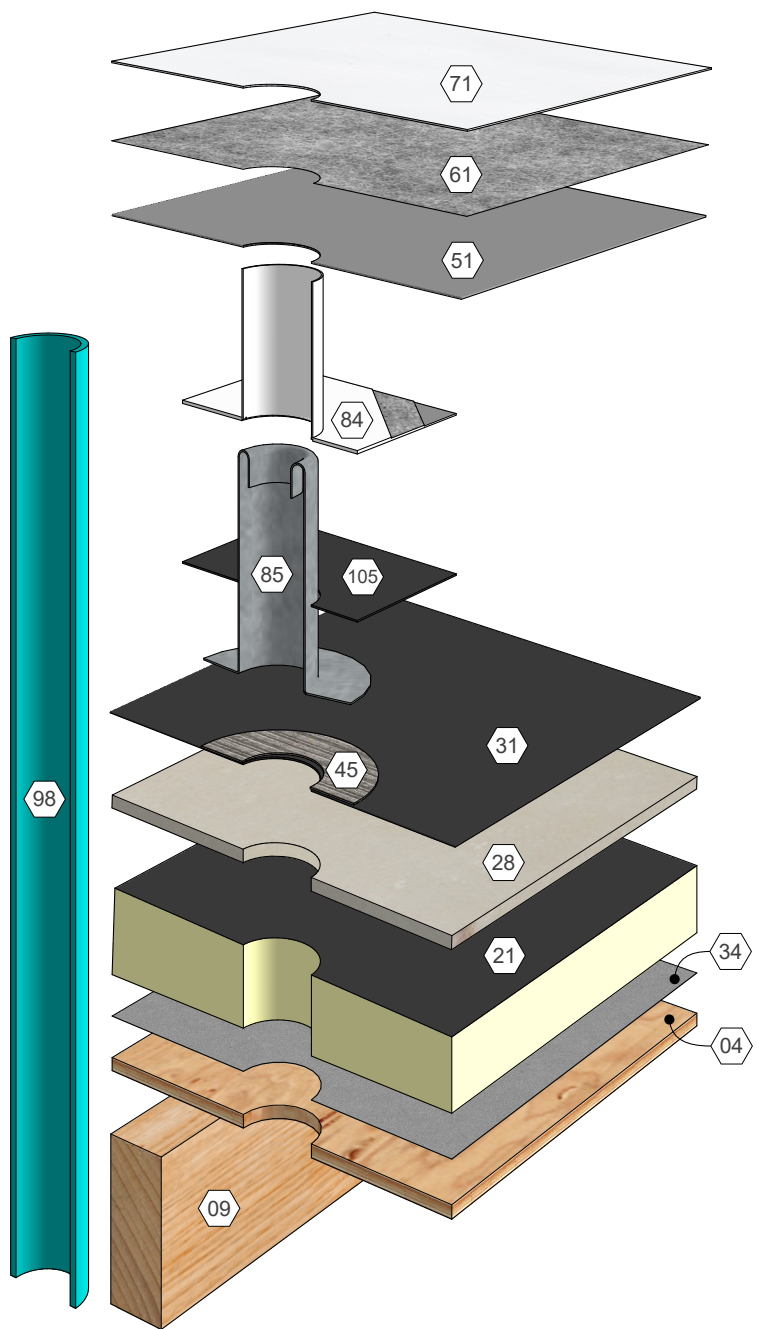
- | | | |
|---|--------------------------------------|--------------------------------|
| 03) Precast Concrete Deck | 31) Approved Base Ply Sheet | 71) AlphaGuard MT/MTS Top Coat |
| 21) Polyisocyanurate Insulation (Adhered) | 45) Roofing Mastic | 84) AlphaGuard Flashing |
| 28) Cover Board (Adhered) | 51) AlphaGuard MT/MTS Base Coat | 85) Lead Sleeve |
| | 61) AlphaGuard Glass Mat or Permafab | 98) Plumbing Vent |
| | | 105) Target Patch |



AlphaGuard® MT/MTS Plus Plumbing Vent Detail, Precast Concrete Deck
Detail 22183

KEY NOTES

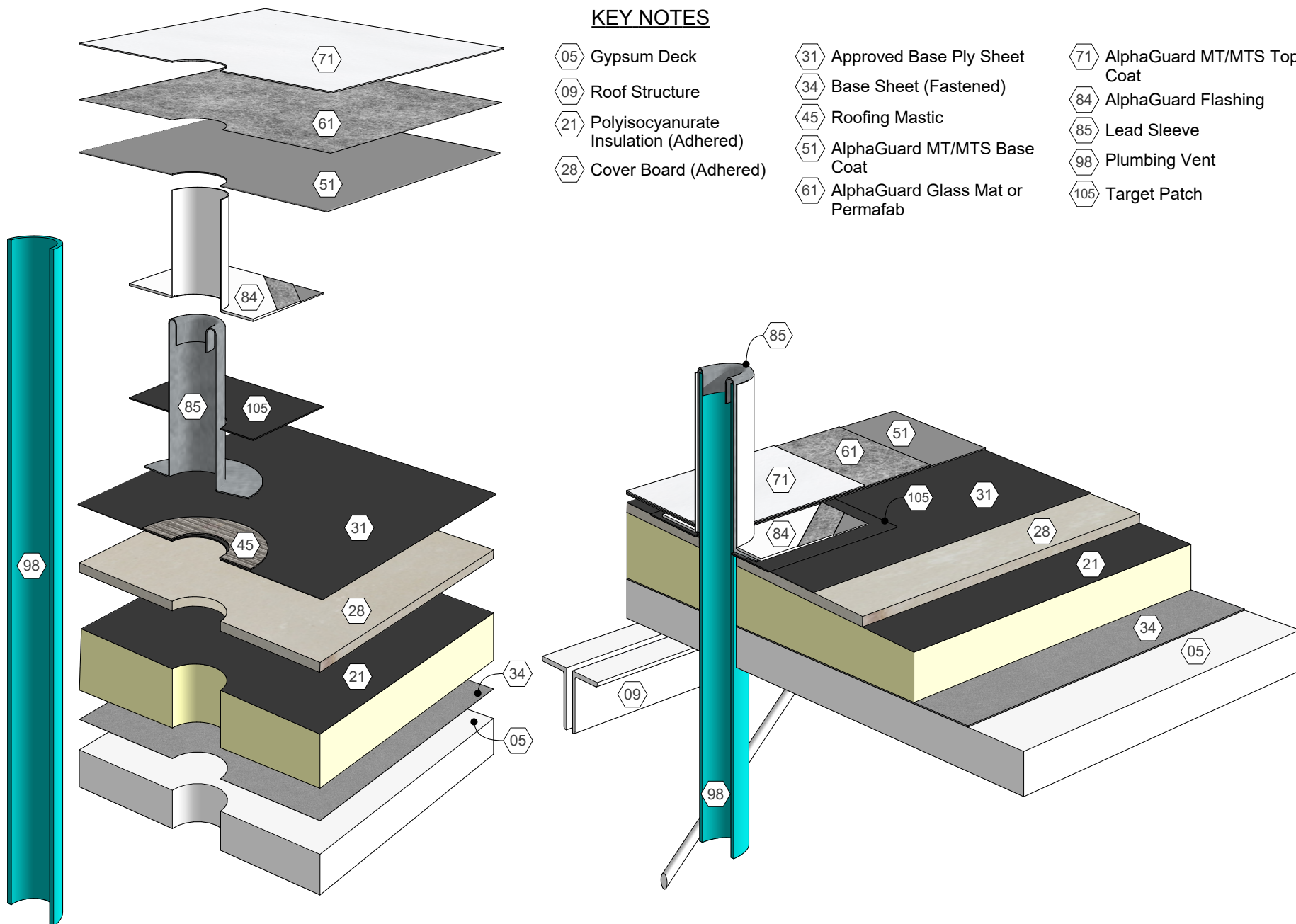
- | | | | | | |
|----|---------------------------------------|----|----------------------------------|-----|----------------------------|
| 04 | Wood Deck | 31 | Approved Base Ply Sheet | 71 | AlphaGuard MT/MTS Top Coat |
| 09 | Roof Structure | 34 | Base Sheet (Fastened) | 84 | AlphaGuard Flashing |
| 21 | Polyisocyanurate Insulation (Adhered) | 45 | Roofing Mastic | 85 | Lead Sleeve |
| 28 | Cover Board (Adhered) | 51 | AlphaGuard MT/MTS Base Coat | 98 | Plumbing Vent |
| | | 61 | AlphaGuard Glass Mat or Permafab | 105 | Target Patch |



AlphaGuard® MT/MTS Plus Plumbing Vent Detail, Wood Deck
Detail 22184

KEY NOTES

- | | | |
|---|--------------------------------------|--------------------------------|
| 05) Gypsum Deck | 31) Approved Base Ply Sheet | 71) AlphaGuard MT/MTS Top Coat |
| 09) Roof Structure | 34) Base Sheet (Fastened) | 84) AlphaGuard Flashing |
| 21) Polyisocyanurate Insulation (Adhered) | 45) Roofing Mastic | 85) Lead Sleeve |
| 28) Cover Board (Adhered) | 51) AlphaGuard MT/MTS Base Coat | 98) Plumbing Vent |
| | 61) AlphaGuard Glass Mat or Permafab | 105) Target Patch |



AlphaGuard® MT/MTS Plus Plumbing Vent Detail, Gypsum Deck
Detail 22185